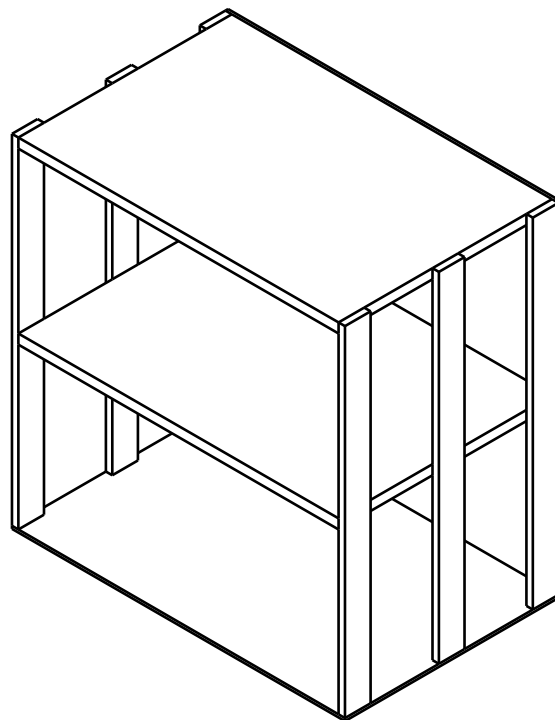
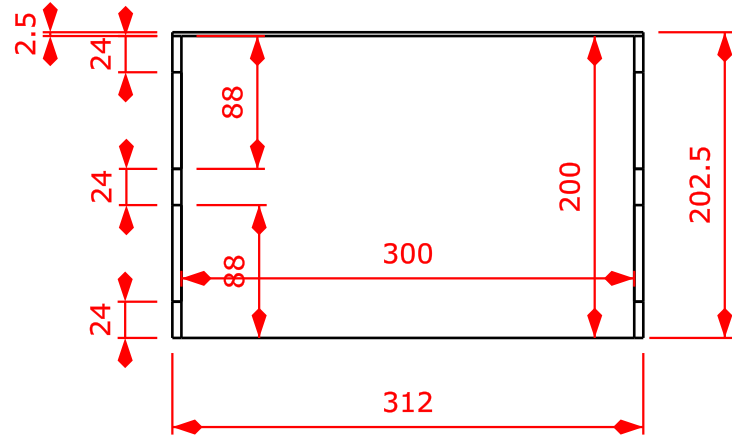
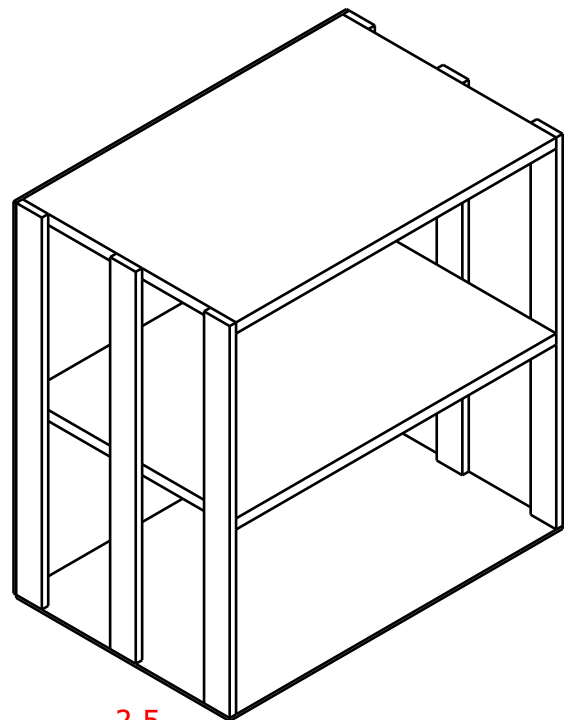


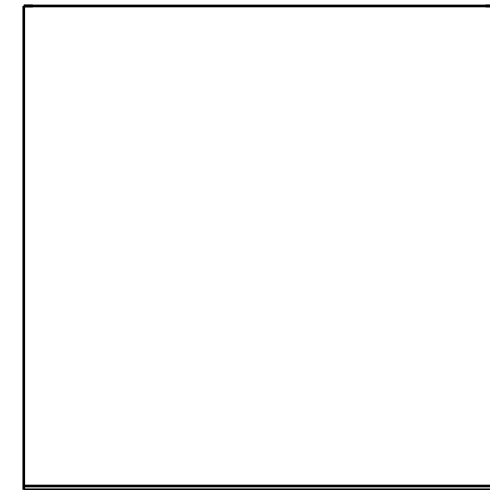
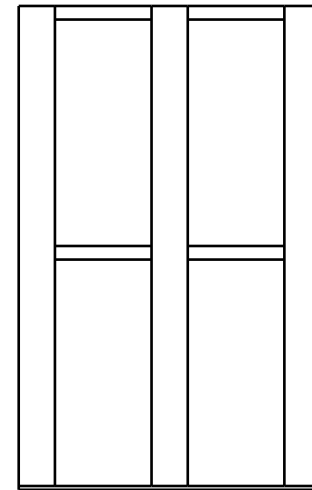
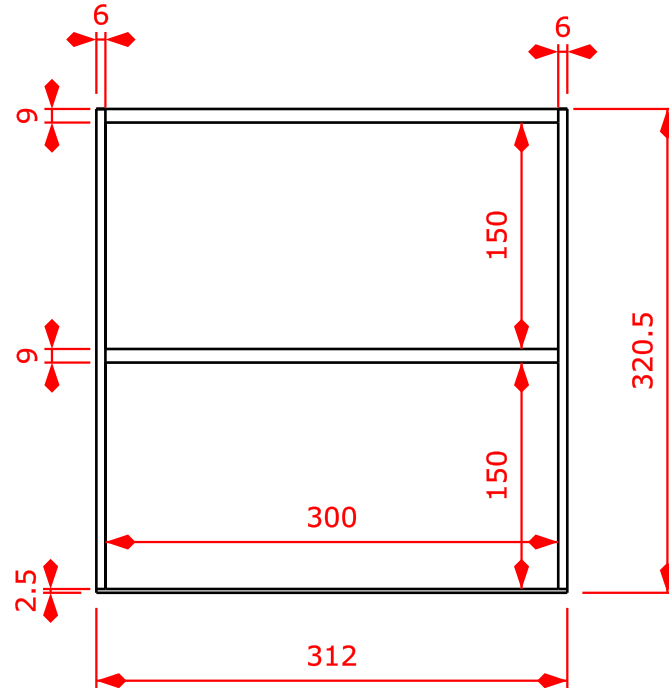
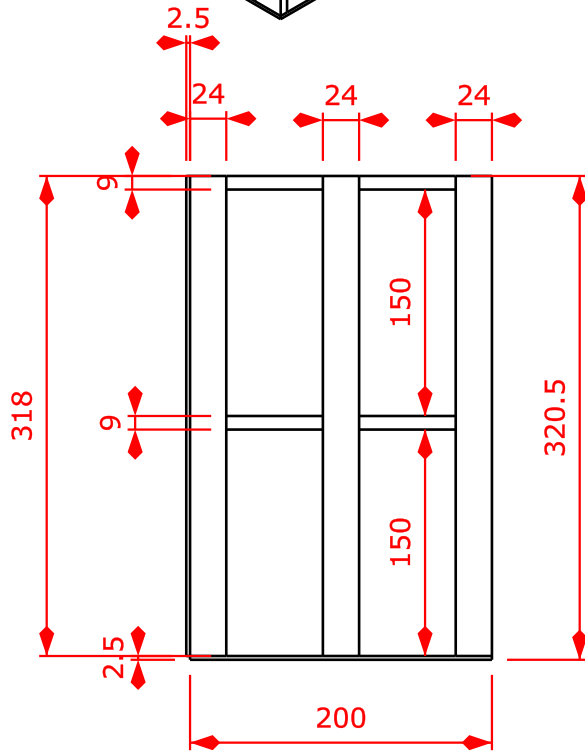
H G F E D C B A

4



4

3



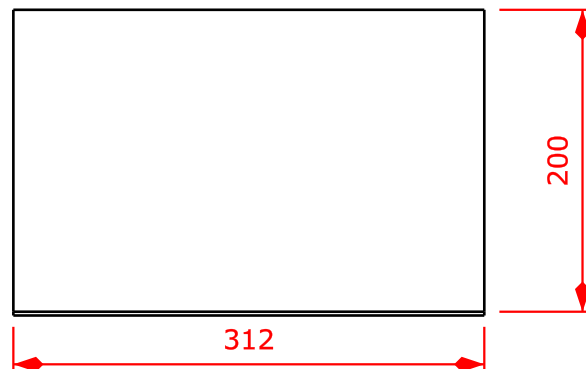
3

2

2

1

1



DESIGNED BY:		奥行き200mmの小棚 ver.a 【完成の正投影図】		I	-
AUTHOR NAME				H	-
DATE: 2017.11.27				G	-
CHECKED BY:		F		F	-
SUPERVISOR NAME				E	-
DATE:				D	-
CHECK DATE		SHEET 1/2		C	-
SIZE	A3			B	-
SCALE				0.20	A
WEIGHT (kg)	WEIGHT	DRAWING NUMBER	NUMBER		
This drawing is our property; it can't be reproduced or communicated without our written agreement.					

H G B A